



BX3728 Installation Instructions
1995-04 Toyota Tacoma 4WD Pick-Up
2001-04 Toyota Tacoma Prerunner 2WD
2001-03 Toyota Tacoma Crew Cab 2/ 4WD
1996-98 Toyota 4Runner 4WD

Installation of this baseplate requires removing the vehicle's tie down brackets and the tow hook.

1. Read the General Instruction Sheet included with this baseplate.
2. The baseplate mounts to the vehicle using two existing bolts and two bolts provided with the baseplate.
3. Notice the tie-down brackets that attach to the frame rails on each side, directly behind the bumper. These are black, formed pieces of metal that bolt underneath the frame rails with two bolts apiece. There is also a tow hook attached to the passenger's side frame rail with the same two bolts.
4. These brackets and tow hook will be removed and the end pieces of the baseplate will bolt to the frame using the existing holes. Begin by removing all four bolts with a 17mm socket. Set the tie-down brackets, tow hook, and passenger's side bolts aside. They will not be reattached to the vehicle.
5. With an assistant, hold the baseplate underneath the frame rails and start the existing driver's side bolts through the baseplate holes. Place a lock and flat washer on the 12mm x 40mm bolts included with the baseplate package and start them through the slots on the passenger's side. Be sure to include Loctite on the bolt threads of all four bolts. When all four bolts are started, they may be tightened. The passenger's side bolts will require a 19mm socket.
6. The dimensional variations between otherwise identical cars can be considerable. While the location and size of the holes in the baseplate were designed to allow for easy installation, it may be necessary to file a hole slightly to allow a bolt to clear.
7. Install the tow bar and safety cables according to the instructions included in their packages.
8. Do not substitute other devices if the tow bar pin and clip are lost.
9. **DEALER OR INSTALLER: BE CERTAIN THE USER RECEIVES THE INSTRUCTION SHEET.**



Tools Required

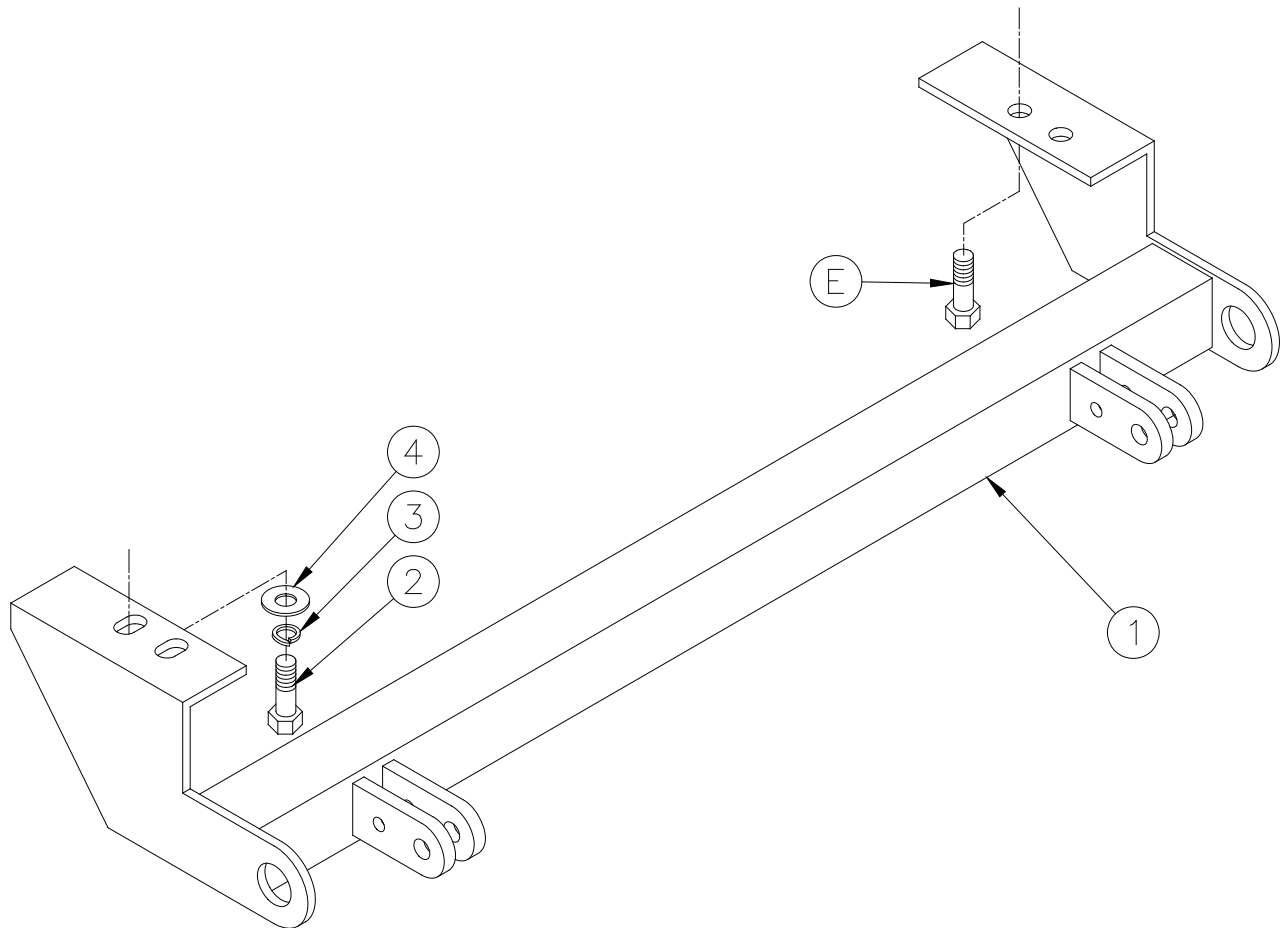
17mm Socket

19mm Socket

Loctite Red

Parts List

Ref. No.	Qty.	Part No.	Description
1	1	61-4630	Weldment, Baseplate, BX3728
2	2	201-0411	12mm-1.25 x 40mm Hex Bolt, Grd 8.8
3	2	203-0105	12mm Lock Washer
4	2	203-0112	12mm Flat Washer
E	2		Existing Bolt
	2	226-0046	Baseplate Safety Cable, 36" CL III (Not Shown)
	2	229-0359	Quicklink, 3/8, ZP (Not Shown)



IMPORTANT: Use only genuine factory replacement parts on your Base Plate. Do not substitute homemade or non-typical parts. If a bolt is lost or in need of replacement, for your safety and the preservation of your Base Plate, be sure to use a replacement bolt of the same grade (Usually Grade 5, refer to parts list). Repair parts may be ordered through your nearest Blue Ox dealer or distributor.